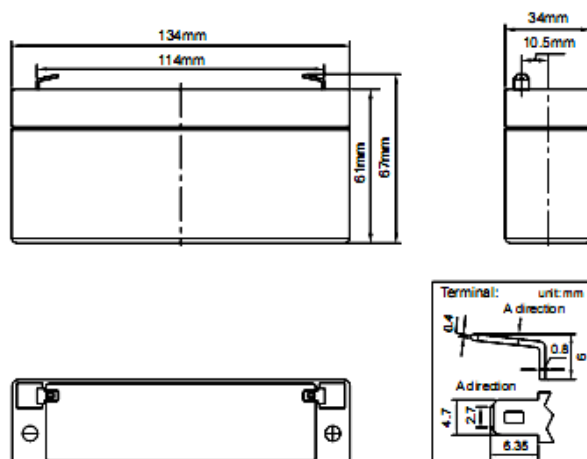


## Product Image



## Product Dimensions



## Characteristics

Nominal Voltage		6V
Nominal Capacity (20 hour rate)		3.2Ah
Capacity 25°C (77 °F)	10 hour rate (0.31A)	3.1Ah
	5 hour rate (0.59A)	2.9Ah
	1 hour rate (2.18A)	2.18Ah
Internal Resistance	Full Charged Battery 25°C	≤18mΩ
Capacity affected by Temperature (10 hour )	40°C (104 °F)	102%
	25°C (77 °F)	100%
	0°C (32 °F)	85%
	-15°C (5 °F)	65%
Self-Discharge 25°C (77 °F) Capacity	after 3 month storage	90%
	after 6 month storage	80%
	after 12 month storage	62%
Charge (Constant Voltage) 25°C (77 °F)	Float	Initial Charging Current Less than 1.0A Voltage 6.8-6.9V
	Cycle	Initial Charging Current Less than 1.0A Voltage 7.2-7.45V

## Packaging

Battery Dimensions	Length	134mm
	Width	34mm
	Height	61mm
	Total Height	67mm
Box Dimensions	Length	409mm
	Width	148mm
	Height	188mm
Quantity Per Box		20 pcs per box
Net weight Per Cell		0.59kg ±50g
Net weight Per Box		11.8kg
Gross Weight		12.2kg

### Discharge Constant Current per Cell (Amperes at 77°F25°C)

F.V/Time	5min	10min	15min	30min	45min	1h	2h	3h	5h	8h	10h	20h
1.60V	10.89	7.26	5.46	3.63	2.54	2.18	1.36	0.93	0.62	0.42	0.35	0.18
1.65V	10.69	7.13	5.36	3.56	2.49	2.14	1.34	0.92	0.61	0.41	0.34	0.18
1.70V	10.49	7.00	5.26	3.50	2.45	2.10	1.31	0.90	0.60	0.40	0.33	0.17
1.75V	10.30	6.86	5.16	3.43	2.40	2.06	1.29	0.88	0.59	0.40	0.33	0.17
1.80V	9.90	6.60	4.97	3.30	2.31	1.98	1.24	0.85	0.57	0.38	0.31	0.165

### Discharge Constant Power per Cell (Watts at 77°F 25°C)

F.V/Time	5min	10min	15min	30min	45min	1h	2h	3h	5h	8h	10h	20h
1.60V	20.96	13.98	10.52	6.99	4.89	4.19	2.62	1.80	1.20	0.80	0.67	0.35
1.65V	20.58	13.72	10.32	6.86	4.80	4.12	2.57	1.76	1.18	0.79	0.65	0.34
1.70V	20.20	13.47	10.13	6.73	4.71	4.04	2.53	1.73	1.15	0.78	0.64	0.34
1.75V	19.82	13.21	9.94	6.61	4.62	3.96	2.48	1.70	1.13	0.76	0.63	0.33
1.80V	19.06	12.71	9.56	6.35	4.45	3.81	2.38	1.63	1.09	0.73	0.60	0.32

**Note** The above data are average values, and can be obtained within 3 charge/discharge cycles. These are not minimum values. Cell and battery designs/specifications are subject to modification without notice. Contact **MCA** for the latest information.

**Performance Characteristics**



**Battery Construction**

Component	Positive plate	Negative plate	Container	Cover	Safety valve	Terminal	Separator	Electrolyte
Raw material	Lead dioxide	Lead	ABS	ABS	Si-Rubber	Lead	Fiberglass	Colloid(GEL)